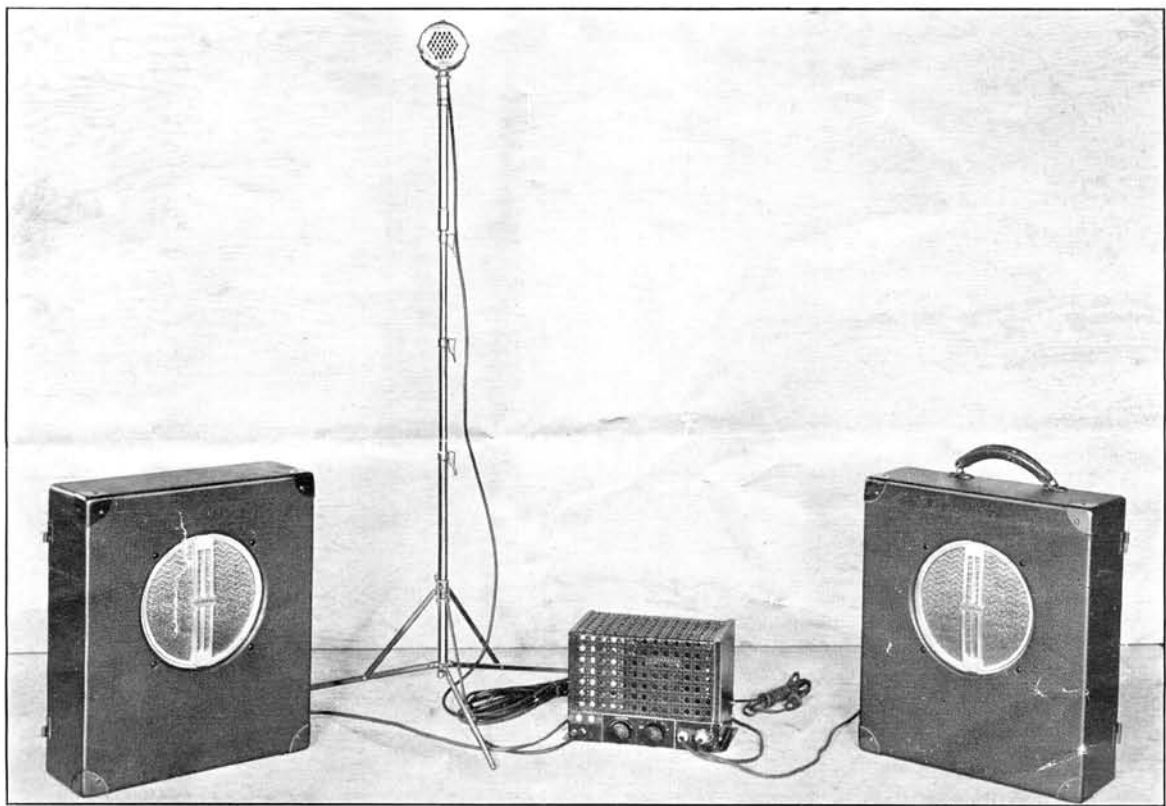


New PHILCO Model 905 PORTABLE SOUND AMPLIFIER

COMPLETE EQUIPMENT

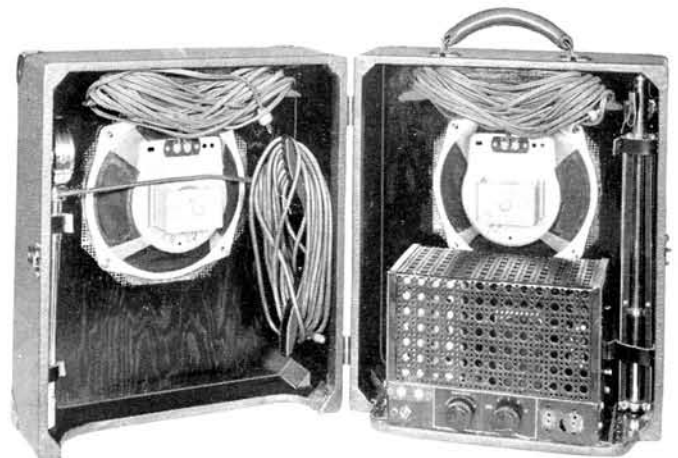
*For amplifying music or speech indoors or outdoors.
Ideal for places of entertainment . . . outdoor dem-
onstrations, fairs, churches, schools, etc., etc.*

High-Power Output—Two Speakers—3-Purpose Crystal Microphone



MODEL 905 SET UP FOR OPERATION

Philco's new Model 905 Sound Amplifier is a high-quality, complete portable sound-amplifier, suitable for reproduction and amplifying of speech or music. For entertainment, announcements, phonograph records, etc., either indoors or outdoors; for public functions, or use in homes, hotels or institutions, it affords an ideal equipment—quickly set up, easily moved from place to place, and providing exceptionally high-quality reproduction of either voice or music.



REAR VIEW COMPLETELY ASSEMBLED

HIGH-GAIN AMPLIFIER --- FAITHFUL REPRODUCTION --- MUSIC OR SPEECH

High-gain high-power amplifier conservatively rated at 10 watts undistorted output. Two eight-inch special perma-dynamic speakers covering full frequency range—one in each half of case—each supplied with 35' flexible two-conductor rubber covered cable.

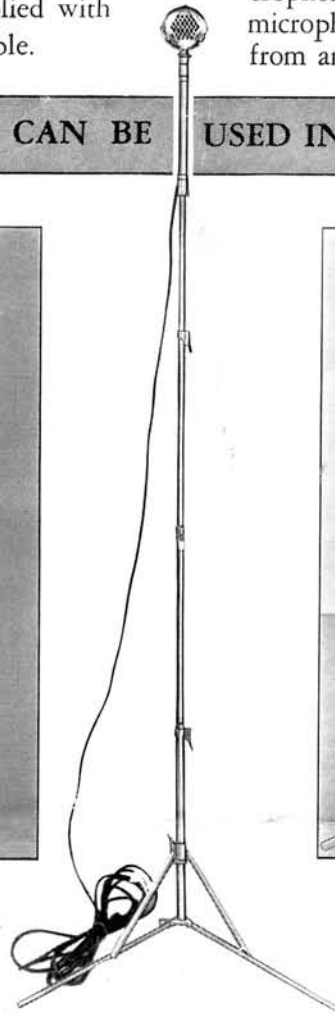
High-quality crystal microphone with collapsible chrome-plated extension stand, usable in any one of the three standard positions (shown in illustration). Microphone is supplied with 25' of special high-impedance microphone cable to permit of locating some distance from amplifier if desired.

THE CRYSTAL MICROPHONE CAN BE

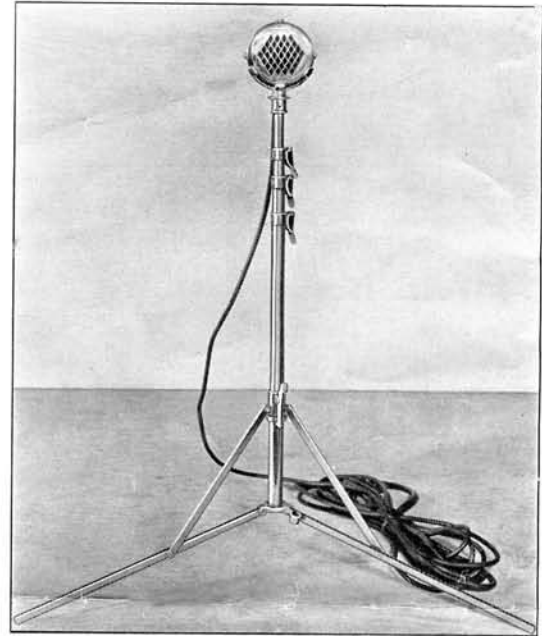
USED IN ALL THREE NEEDED POSITIONS



Detached for Hand Use



Stand Extended to Full Height for "Floor" Use



Adjusted for Desk or "Banquet" Use

Control switch and receptacles for speaker and microphone plugs conveniently located on front panel of amplifier case. Separate positions for "voice" and "music" permit best reproduction of any type program.

Additional "phono" position provides for reproducing records.

Every radio dealer and service organization should have one of these new portable amplifiers, (1) For demonstrating its many valuable and practical uses to prospective purchasers, (2) For advertising his own business (radio service), and (3) Rental purposes to local business, charitable, social, and religious organizations. A splendidly engineered, ruggedly-built, high performance unit . . . with Philco quality and dependability built in. The outstanding buy on the market in a complete portable quality amplifying equipment.

Completely
and
Easily
Portable
Anywhere



Wgt.
35 lbs.

PHILCO MODEL 905, COMPLETE, READY TO USE

Including Microphone, Tubes, Cables, etc.

Net
Dealer Price

\$66⁰⁰

P HILCO MODEL 905

PORTABLE SOUND AMPLIFIER

REPLACEMENT PARTS

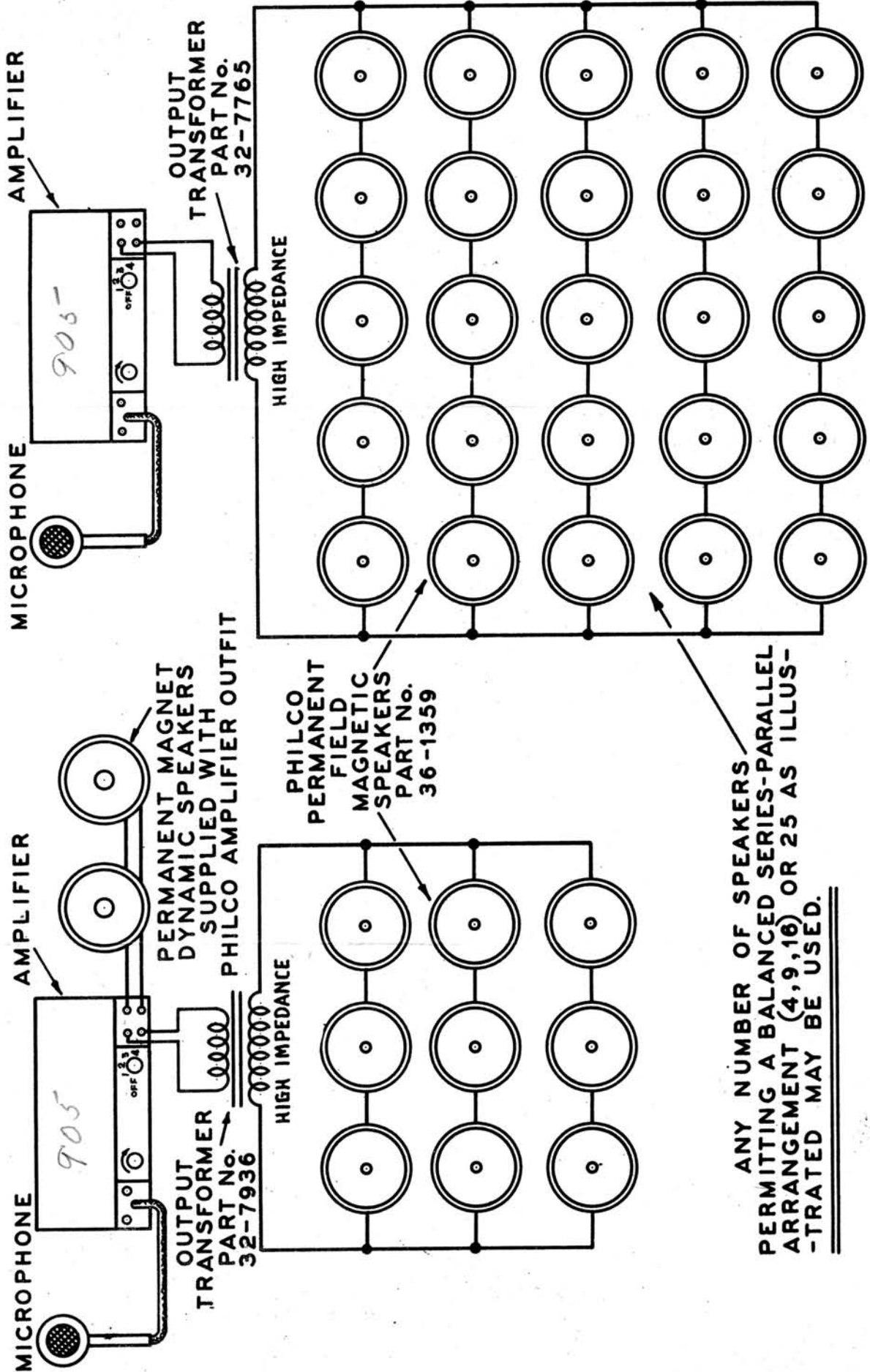
Schematic No.	Description	Part No.	List Price
1	Microphone Input Connector	27-4617	\$.40
2	Resistor-4.0 meg. 1/2 W.	33-540339	.20
3	Condenser-10-10 μ f	30-2261	1.00
4	Condenser .05 μ f Tubular	30-4518	.20
5	Resistor 3.0 meg. 1/2 W.	33-530339	.20
6	Condenser 8-8 μ f Electrolytic	30-2028	2.15
7	Resistor 2500 Ω 1/2 W.	33-225339	.20
8	Condenser .01 μ f Tubular	30-4514	.20
9	Condenser 500 μ f Mica	30-1086	.25
10	Resistor 490,000 Ω 1/2 W.	33-449339	.20
11	Resistor 4.0 Meg. 1/2 W.	33-540339	.20
12	Volume Control	33-5250	1.00
13	Resistor 51,000 Ω 1/2 W.	33-351339	.20
14	Resistor 700 Ω 1 W.	33-1220	.20
15	Resistor 3500 Ω 1/2 W.	33-235339	.20
16	Phonograph Terminals	38-9167	---
17	Resistor 100 Ω 1 W.	33-1219	.20
18	Resistor 2.0 Meg. 1/2 W.	33-520339	.20
19	Condenser .05 μ f Tubular	30-4518	.20
20	Resistor 240,000 Ω 1/2 W.	33-424339	.20
21	Condenser 110 μ f Mica	30-1031	.20
22	Condenser .01 μ f Tubular	30-4514	.20
23	Resistor 490,000 Ω 1/2 W.	33-449339	.20
24	Resistor 490,000 Ω 1/2 W.	33-449339	.20
25	Condenser .01 μ f Tubular	30-4518	.20
26	Resistor 3500 Ω 1/2 W.	33-235339	.20
27	Output Transformer	32-7927	1.80
28	Cone & Voice Coil Assembly	36-3540	1.00
29	Choke Coil	32-7926	1.40
30	Condenser 20-10 μ f Electrolytic	30-2259	2.40
31	Resistor 200 Ω Wire Wound	33-3329	.25
32	Power Transformer	32-7925	3.75
33	Power & Selector Switch	42-1386	1.00
34	Condenser .015-.015 μ f Bakelite	3793DG	.40
	Cable (Microphone)	L-2969	.15 per ft
	Cable (Power)	L-2183	.40
	Cable (Speaker)	L-2941	1.15
	Cap. (Speaker Plug)	28-5390	.05
	Cover (Top of chassis)	38-9160	1.45
	Escutcheon Plate	R-2414	.40
	Hand Piece (Microphone)	35-4071	1.00
	Insulator (Shield Base)	27-8950	.10
	Knobs	27-4621	.15
	Microphone	35-4068	28.50
	Plug (Microphone Cable)	27-4616	.70
	Plug (Speaker)	27-4622	.05
	Shield (Chassis Base)	38-9159	.60
	Speaker (KR19)	36-1266	8.50
	Stand (Microphone)	35-4070	9.00
	Socket Ass'y (Speaker)	27-6089	.12
	Socket tubes (6 prong) (Amplifiers)	27-6086	.11
	Socket tubes (Output Tubes)	27-6057	.11
	Socket tubes (Rectifier)	27-6063	.12
	*Extension Cable	41-3383	4.75
	<i>Cone for large Horn type speaker</i>	36-4096	
	* 20 Foot Microphone Extension Cable - Complete with Connectors.		

Form 28-4468

Form 27-6088

cap. 28-5396 .05

PHILCO HIGH QUALITY AMPLIFIER OUTFIT



ANY NUMBER OF SPEAKERS PERMITTING A BALANCED SERIES-PARALLEL ARRANGEMENT (4, 9, 16) OR 25 AS ILLUSTRATED MAY BE USED.